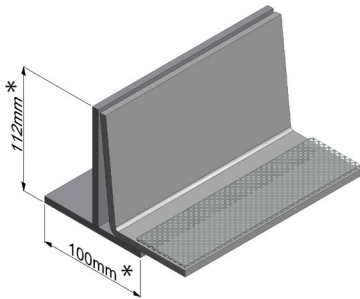
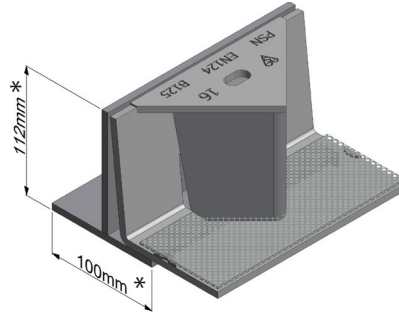


PS7000

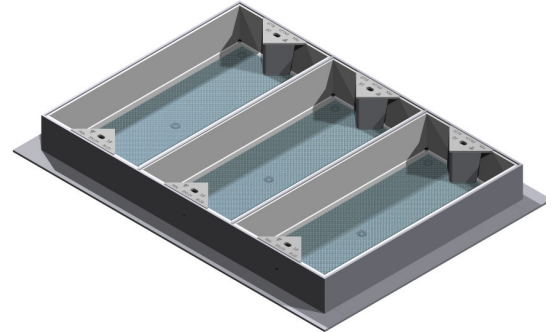
Kitemarked Slide-out Pavior Recessed Access Cover & Frame EN 124 Class B 125



Section through detail.



Lifting Eye Detail



Kitemarked slide-out recessed block pavior infill cover and frame. Recessed lids are designed to enable either a block or slab infill. Covers are slide-out and meet the relevant BS EN 124 loading category. All products are manufactured under an ISO 9001 Quality system. This product is hot dip galvanised to BS EN ISO 1461 as standard.

Options:

- Engraved Lifting Eyes e.g. CATV, WATER

Standard Sizes

Clear Opening (mm)	Code	Parts
725 x 255	KSBT2	1
915 x 445	KSBT4	3
610 x 610	KSBT5	2
1310 x 610	KSBT6	4
2285 x 710	KSBT10	6
1690 x 710	KSBT11	5
950 x 610	KSBTJC1	3

BT Approved Covers

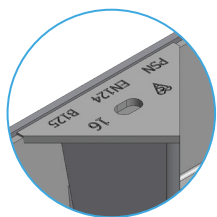
Standard Sizes

Clear Opening (mm)	Code	Parts
725 x 255	KSBT2S	1
915 x 445	KSBT4S	3
610 x 610	KSBT5S	2
1310 x 610	KSBT6S	4
2285 x 710	KSBT10S	6
1690 x 710	KSBT11S	5
950 x 610	KSBTJC1S	3

**Please note dimensions may vary from those stated*

Specification/Ordering:

Please choose the product code, size and engraving detail i.e. KSBT4 CATV



Badging Detail



KM 38475