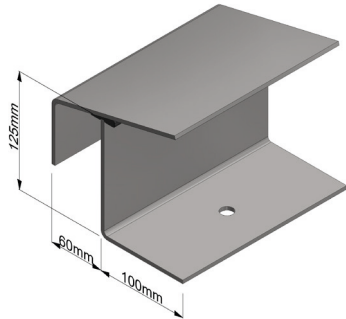
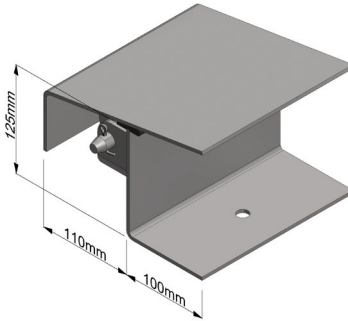


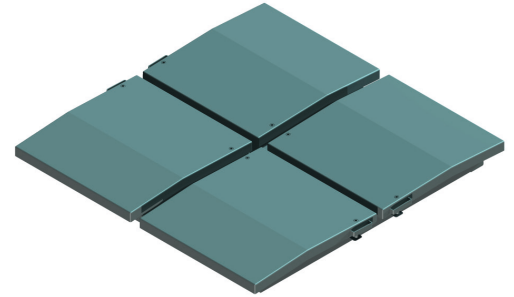
**PS1580**  
**Multiple Upstanding Spring Assisted Cover & Frame**



Section through detail.  
 Non-Hinged Face



Section through detail.  
 Hinged Face



4 Part Plan Example

Multiple upstanding spring assisted cover and frame. All units are haunched for increased water shedding. Units come complete with enclosed hinges and shielded hasp & staple for user padlock. All units are fitted with a polyethylene seal and are M16 locked as standard. PS1580 units are fitted with a centre removable channel support beam and intermediate beamwork. All products are manufactured under an ISO 9001 Quality system. This product is hot dip galvanised to BS EN ISO 1461 as standard.

**Options:**

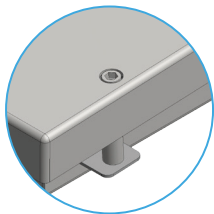
- Open Mesh Working Platform Safety Grid - /Grid1 (See p76)
- Jail Type Personnel Protection Safety Grid - /Grid2 (See p76)
- Lattice Type Fall Arrest Grid - /Grid3 (See p76)
- Vented - /Vent
- Sign fitted to Grid

**Sizes:**

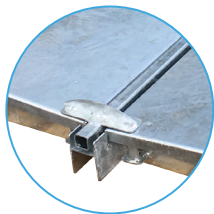
Units are manufactured to suit customer chamber sizes.

**Features:**

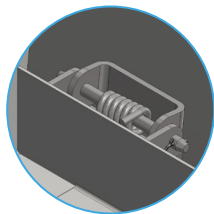
Applicable to PS1500, PS1550, PS1580.



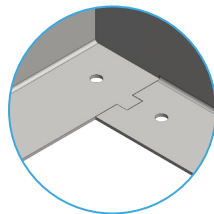
M16 Locking



Shielded Hasp & Staple  
 Locking Bar



Enclosed Hinges



Internal Frame Fixing

**Specification/Ordering:**

Please choose the required product code, size and any extras i.e.  
 PS1580 1200 x 1200 mm/Grid1